



# 90G FRESH AIR FRESHENER GEL

Transform any space into  
a fragrant oasis with our  
fresh air freshener gel



- Easily open and active, user-friendly.
- No outlets, batteries or flame needed
- Small but elegant.
- Gentle fragrance but powerful





Fresh air freshener gel, the ultimate comforting touch to every room, particularly your small spaces like bathrooms, bedrooms, closets and car



bedrooms

Car

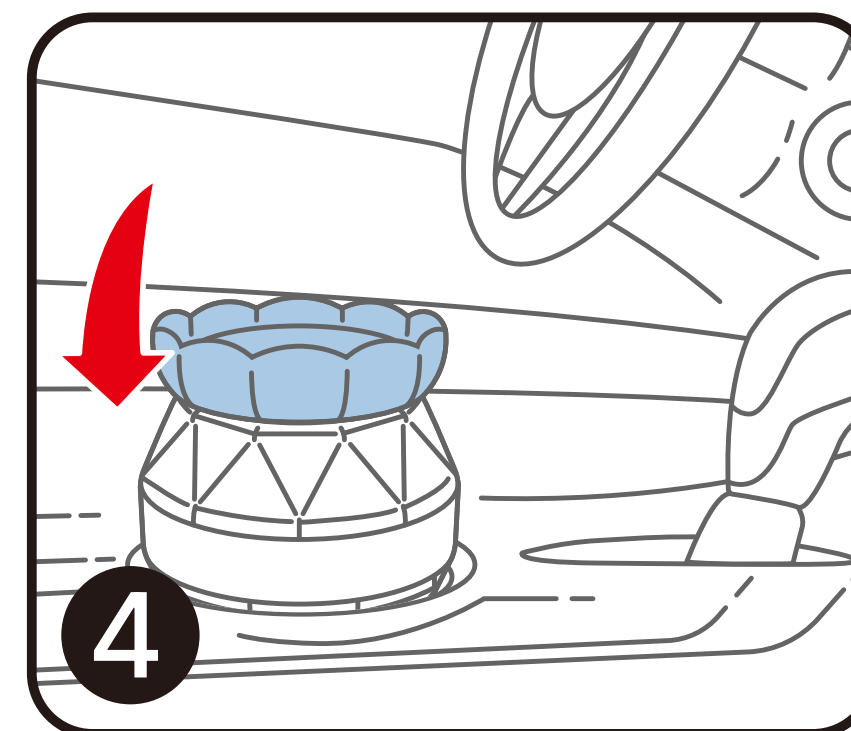
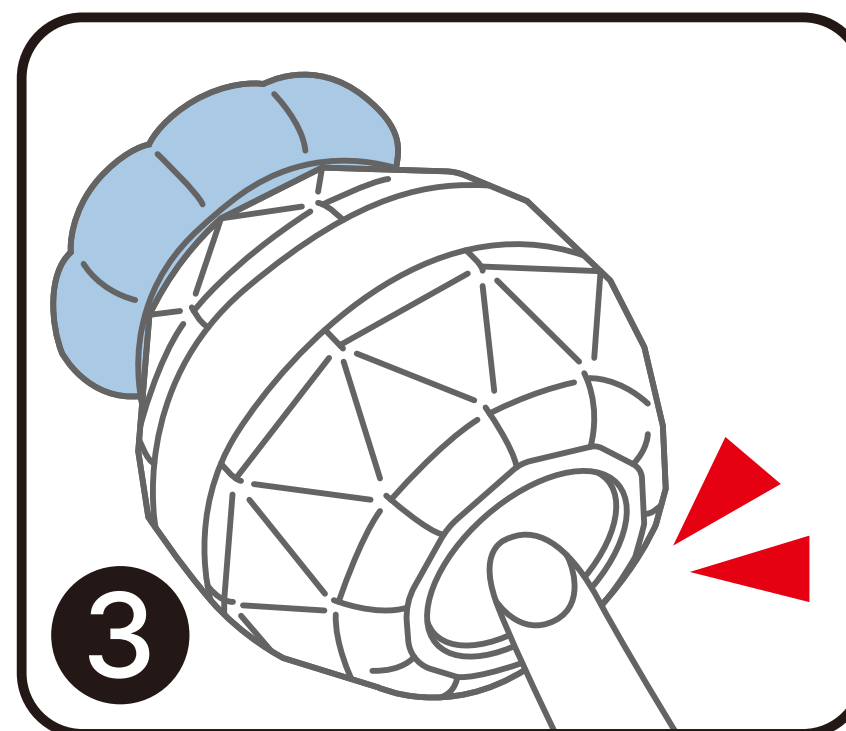
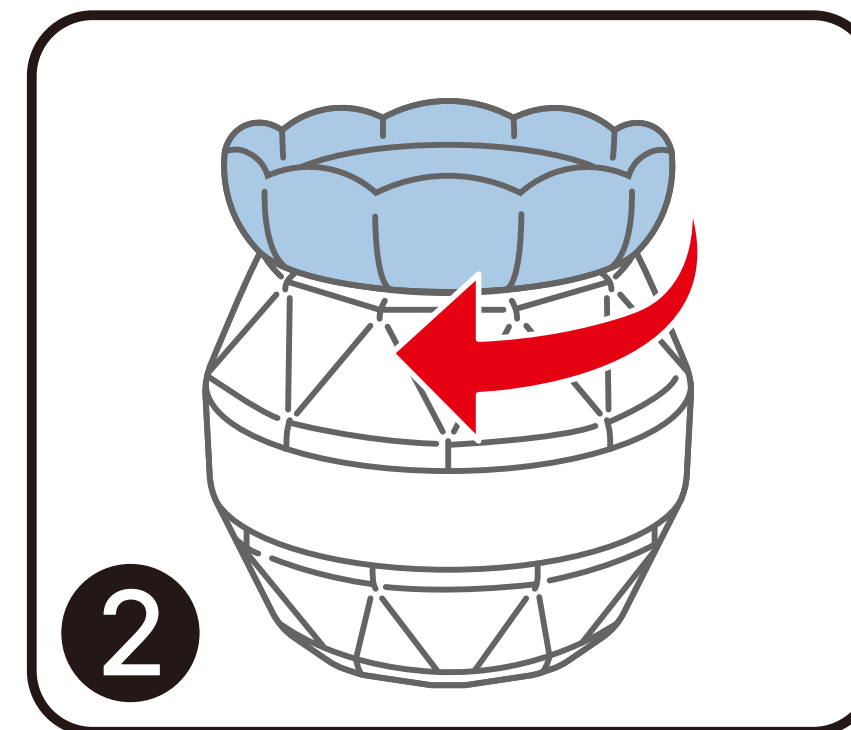
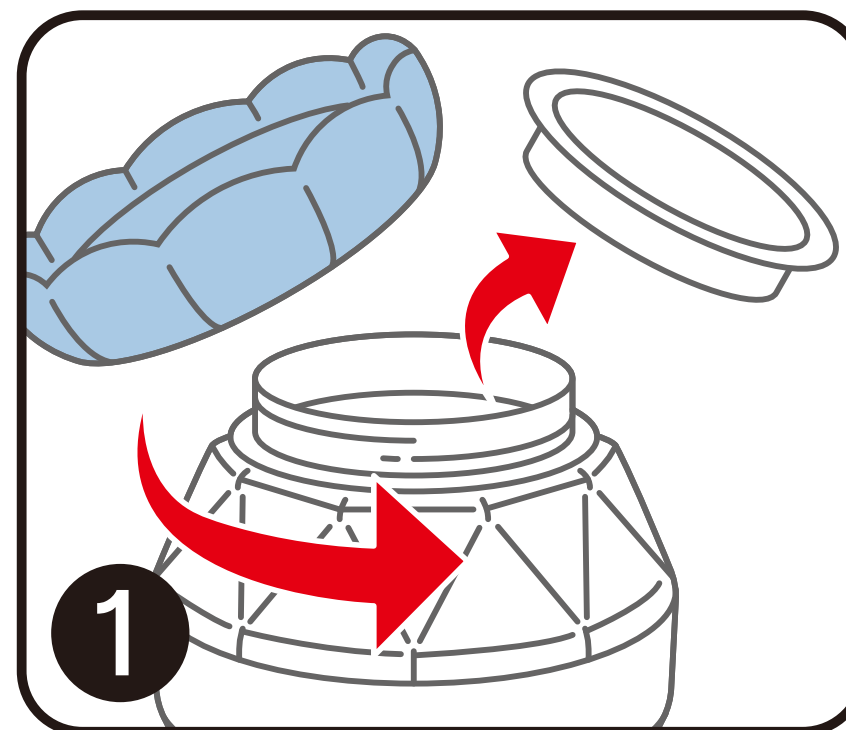
SAVON







# HOW TO USE



1. Take off the cover and throw away the inner cover.
2. Cover the lid.
3. Double-sided adhesive tape on the bottom.
4. Fixed on the beverage rack or storage bag.

# 90G Fresh Air freshener gel [/OS2408001/](#)

---



Savon

Qty(pcs)/Ctn: 48

Master Carton Size(cm): 41x28x16

G.W./N.W.(kg): 6.1/5.66

Meas(cbm): 0.01837



Osmanthus



White Musk



# RECOMMENDED FRAGRANCES

- Specially selected after thorough lab testing and consumer testing.
- Leaving every space with a fresh scent that gives the user a great feeling.



Savon



Osmanthus



White Musk

# Ocean★

**pet series**

**perfume series**

**car series**

**consumer series**

**3C series**

**household series**

Ningbo Jiangbei Ocean Star Chemical Factory / Ningbo Jiangbei Ocean Star Trading Co., Ltd

**ADD:** RM. 902-904, Building No.2, MaoYue Business Center, HuXi Road, Ningbo, China, 315020

**TEL:** +86 574 87218619 ext 886

**FAX:** +86 574 87659815

**EMAIL:** Info@oceanstar-inc.com

**www:** www.oceanstar-inc.com | www.cleannfresh.com



**THANK YOU**  
*Creating value for customer*